

# NX CAD/CAM 2.5-Axis Milling Foundation

## NX CAM benefits

- Automated hole making capability speeds common processes
- Boundary-based cutting provides flexibility to cut on minimal geometry
- Solids-based cutting cuts complex shapes intelligently
- HSM support maximizes machine tool investments
- Intelligent rest milling options facilitate associative multi-stage roughing techniques
- Master model capability ensures that NC development stays associative to the source model
- Model Edit capabilities make it easy to adjust model for optimal NC programming
- Integrated postprocessor and Post Builder provide production-ready output
- All supporting functions are provided

## Summary

NX™ CAD/CAM Milling 2.5-Axis Foundation software provides an entry-level package focused on general prismatic milling with integrated CAD. All of the supporting functions for NC programming are provided, from translators to tool path visualization to postprocessing.

## 2.5-Axis Milling and Drilling

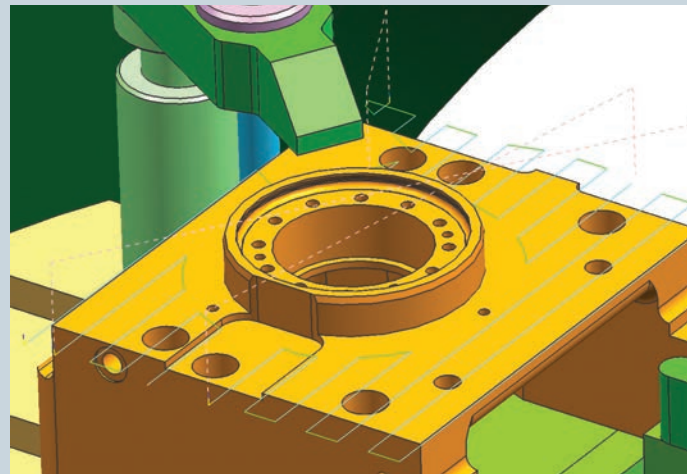
2.5-Axis Milling and Drilling operations cover solids and boundary-based z-level machining through a mix of manual and automated programming methods.

### Flexible machining coordinate system (MCS)

With NX CAM, you can make holes and planar cuts anywhere on the part, using any valid tool axis. These 2.5-axis cuts can be performed by 3+2 positional machines in any orientation.

**Hole making** Extensive hole making functions are provided for spot drill, drill, ream bore and tap. You can use deep drill, peck drill and special boring cycles. User-defined cycles provide any needed hole making capability. Efficient traverses minimize lifts while accounting for all part and fixture geometry. Special multi-axis filtering automatically switches MCS for non-parallel hole selections.

**Feature-based automation** You can take advantage of automatic feature processing that comes standard with NX. Feature recognition, process application and tool selection functions automate hole making for common classes of holes. Custom process development is separately available.



NX

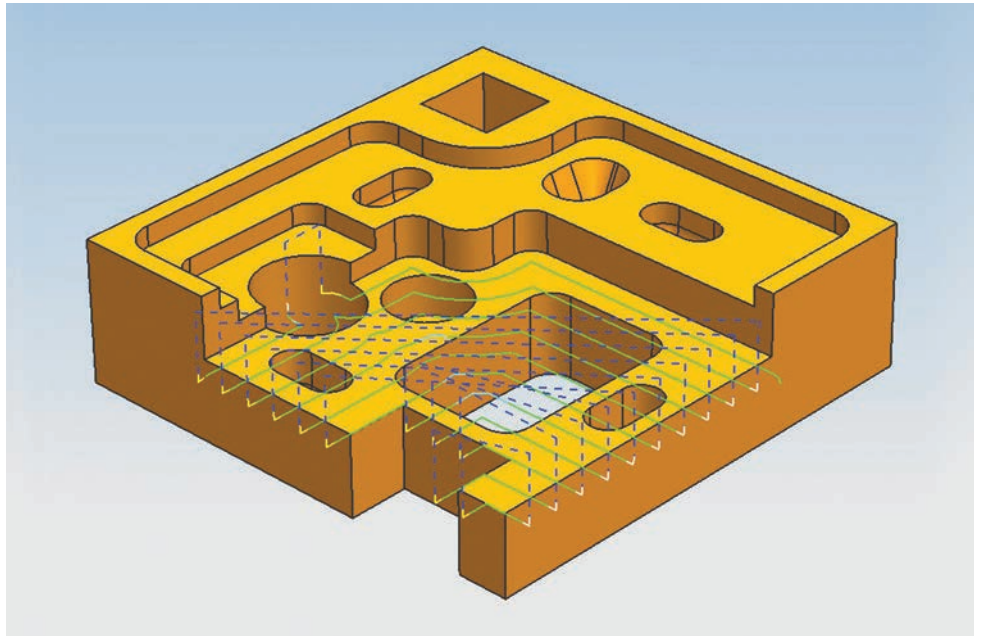
[www.siemens.com/nx](http://www.siemens.com/nx)

SIEMENS

## NX CAD/CAM 2.5-Axis Milling Foundation

### NX CAM features

- Hole making
- Face milling
- Boundary cutting
- Generalized roughing
- Z-level finishing
- Synchronous technology
- Wizard builder
- Postprocessing and Post Builder
- Shop documentation
- Raster and offset patterns
- Interpolated patterns



**Face milling** Solids-based face milling automatically respects part and fixture boundaries while efficiently clearing faces.

**Boundary cutting** You can trace boundaries the traditional way with either edges or wireframe elements. You can individually specify offsets, compensation and other factors for boundary elements. These boundaries serve as the basis for either single-trace cuts or area clearing patterns.

**Generic motion control** You can build step-by-step tool motion with interactive drag handles and chain together cut traces with the most efficient transitions.

**Probing cycles** NX CAM performs on-machine probing with included Renishaw probing cycles for single-tip probes. You can measure faces, holes and bosses.

**Generalized roughing** NX CAM roughs any generalized 3D shape with intelligent multi-level volume removal patterns and automatically cuts levels corresponding to horizontal faces. Area clearing patterns include zig, zig-zag, part offsets, blank offsets and trochoidal patterns.

**High-speed machining (HSM)** NX CAM provides specialized HSM patterns for either boundary- or solids-based roughing. You can keep your tool path smooth with corner treatments, step-overs, engages and retracts to facilitate the highest possible feed rates. Using the included cutting parameter library, you can optimize spindle speeds, feed rates and engagement depths to maximize safe material removal. Trochoidal loops protect tools from excessive engagement. When complete corners are required, feed rates automatically reduce to account for heavier local tool loads.

**Z-level finishing** You can create z-level, or waterline, finishing passes on complex 3D geometry. Suitable for relatively steep areas, these cuts provide zig and zig-zag options with smooth engages, retracts and step-overs.

**Rest machining** For re-roughing, NX CAM cuts only the areas untouched by previous roughing operations. You use smaller tools only as needed for corner cleanout and use longer tools only as needed for deep reaches.

### Standard supporting functions

**Translators** You can read data from practically any CAD system with a set of translators for Parasolid® software formats and the IGES, DXF, STEP and JT™ formats. In addition, you can write data in all of these formats, plus stl.

**Operation navigator** From the CAM application's information center, you can create, view, modify, verify, inspect and organize your NC programs. You can manage tools, methods, geometry and output from an information-rich program display.

**Tool path visualization** You can stay confident with tool path visualization and material removal verification tools. Integrated collision checking identifies any possible problems.

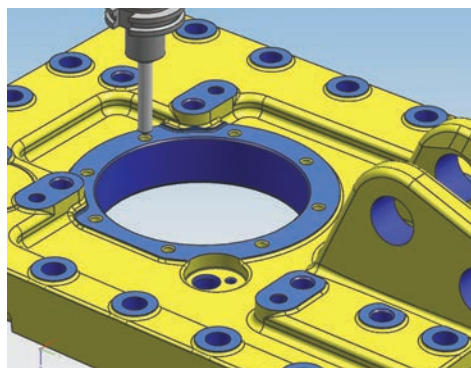
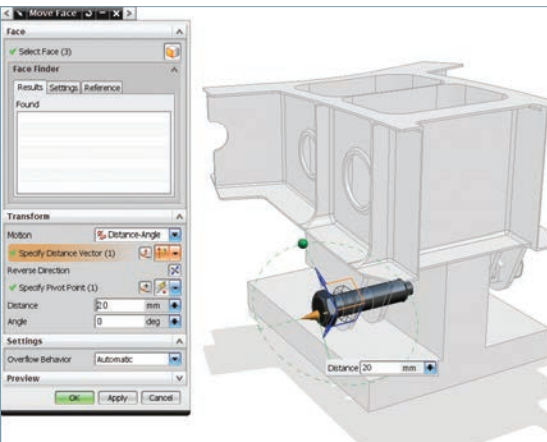
**Tool path editing** You can make fast changes to tool path results with graphical editing tools and protect your edits by locking tool paths from future recalculations.

### Milling Foundation benefits

- Full design capability with integrated CAD/CAM seat

### Milling Foundation features

- 2D drafting
- Solid modeling
- Basic surface modeling
- Sheet metal modeling



**NC wizards** With the NC Wizard Builder, you can create semi-automated processes customized to your environment. These highly familiar wizard presentations enable you to streamline common tasks with minimum user input.

**Postprocessing** The Milling Foundation outputs production-ready g-code with integrated postprocessing. You can edit and fine tune existing postprocessors with our included interactive Post Builder application or even build a postprocessor from scratch using Post Builder templates. In addition, you can use included sample posts or download a post from our support library.

**Shop documentation** You can produce html setup documents with the included shop doc capability.

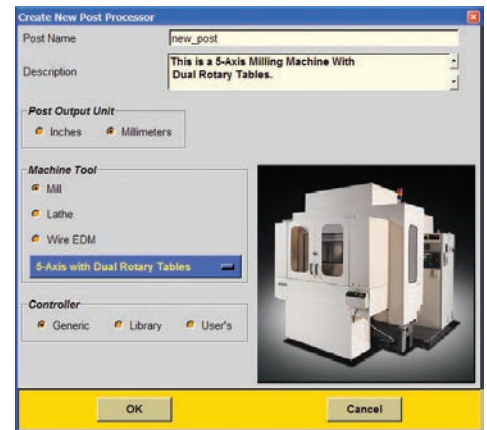
**Feed rate optimization** NX CAM helps you to easily maximize material removal rates and minimize tool wear. The ability to adjust feed rates to achieve a specified chip volume eliminates overloading as well as under-utilization of the cutting tool.

**Assembly modeling** NX CAM includes important fixture components in the programming session while facilitating intelligent collision avoidance. Our master model concept keeps assemblies and tool paths associative to your source model. NX assembly design supports “top-down” and “bottom-up” approaches while facilitating rapid navigation of the assembly hierarchy through direct access to the design model of any component or subassembly.

### Standard model editing functions

NX CAM provides geometry tools to support common model editing functions that make NC programming more efficient. The standard range of functions provided are effective for making changes to existing models that are sometimes needed in the NC programming context, such as altering a basic stock material shape.

Using the standard model editing functions, you can perform important model cleanup tasks with key editing capabilities for:



**Associative geometry** You can create associate copies of master geometry, enabling model editing without affecting the original design model.

**3D wireframe construction for boundaries** Wireframe elements can be constructed from scratch or derived from part edges. Boundaries can be used directly for certain 2D operation types or used indirectly as containment boundaries to control tool path coverage.

**Basic solid shapes** Solid blocks and cylinders can be created for use as blank models or fixture components.

**Surface extensions and patches** You can patch over features that don't need to be machined. Tool paths will move smoothly across the patch, rather than trying to dig into the feature. You can extend faces to help guide tool tips around 3D edges if necessary.

**Surface and edge extraction** Surfaces and edges can be extracted, divided, projected and used in various ways to more precisely support the needs of NC operations. For example, a divided surface provides an additional edge that can be used to drive or define tool paths. Likewise, trim, sew and join functions enable surface and edges to be modified to support NC operations.

**Synchronous modeling** Synchronous modeling, a powerful method for directly editing solid faces, is also available in the NC environment. Developing as-cast models or other derivatives from the existing parts is easy since the programmer simply needs to push and pull on the existing faces.

#### Extended CAD content (included with the CAD/CAM package)

The standard CAM version of the CAD/CAM package provides geometry tools to support common model editing functions. A set of more extensive CAD functions (described below) is available in the CAD/CAM version of this package that enables you to create and edit complex 3D part models and produce drawings. The combination of CAD and CAM in one system provides one of the most fully integrated solid modeling systems available today.

**Drafting** You can create engineering drawings that remain associative to your part models, including automatic view creation from solids, hidden line processing and automated parts lists. You can use templates to automatically create drawings for borders and view layouts.

**Solid modeling** Using the CAD/CAM Milling Foundation, you can develop 3D models with a full range of synchronous modeling and parametric modeling tools, including wireframe, primitives, swept and revolved bodies; Boolean operations and

associative editing are supported. You can provide details such as blends, tapers and thin-wall features. NX modeling is powered by synchronous technology, Siemens PLM Software's unique approach to 3D design that combines the power of parametric feature-based modeling with the freedom of history-free modeling.

**User-defined features** The CAD/CAM Milling Foundation lets you capture and store families of features for easy retrieval and editing, starting with existing associative solid models. You can establish relationships between parameters, define feature variables, set default values and decide the general form the feature will take when started.

**Basic surfacing** You can create complex surfaces and solid models using loft and sweep techniques.

**Sheet metal** With the CAD/CAM Milling Foundation, you can create sheet metal component models using feature-based design tools for tabs, flanges and other typical features. You can use forming tables and bend sequence tables to account for bend deformation and generate accurate flat pattern data for manufacturing.

**Associativity** The CAD/CAM Milling Foundation absorbs changes with ease through a fully integrated CAD/CAM system that keeps the NC program connected to the design model and updates to new geometry.

#### Available add-ons

You can configure the perfect CAM seat by adding the tool path creation options that your programs require. You can choose from:

- Turning
- Wire EDM
- 5-Axis Milling
- Turbomachinery Milling
- Machine Simulation
- Feature-Based Machining Author

#### Available Teamcenter integration

You can integrate your NX Mach CAM package with Teamcenter® software by including the NX CAM Teamcenter Client add-on. This Mach-level integration provides a managed environment for your NX data. Additional Teamcenter functionality is available separately.

Contact  
Siemens Industry Software  
Americas +1 800 498 5351  
Europe +44 (0) 1276 413200  
Asia-Pacific +852 2230 3333

[www.siemens.com/plm](http://www.siemens.com/plm)

© 2013 Siemens Product Lifecycle Management Software Inc. Siemens and the Siemens logo are registered trademarks of Siemens AG. D-Cubed, Femap, Geolus, GO PLM, I-deas, Insight, JT, NX, Parasolid, Solid Edge, Teamcenter, Tecnomatix and Velocity Series are trademarks or registered trademarks of Siemens Product Lifecycle Management Software Inc. or its subsidiaries in the United States and in other countries. All other logos, trademarks, registered trademarks or service marks used herein are the property of their respective holders.  
X4 33516 3/13 C